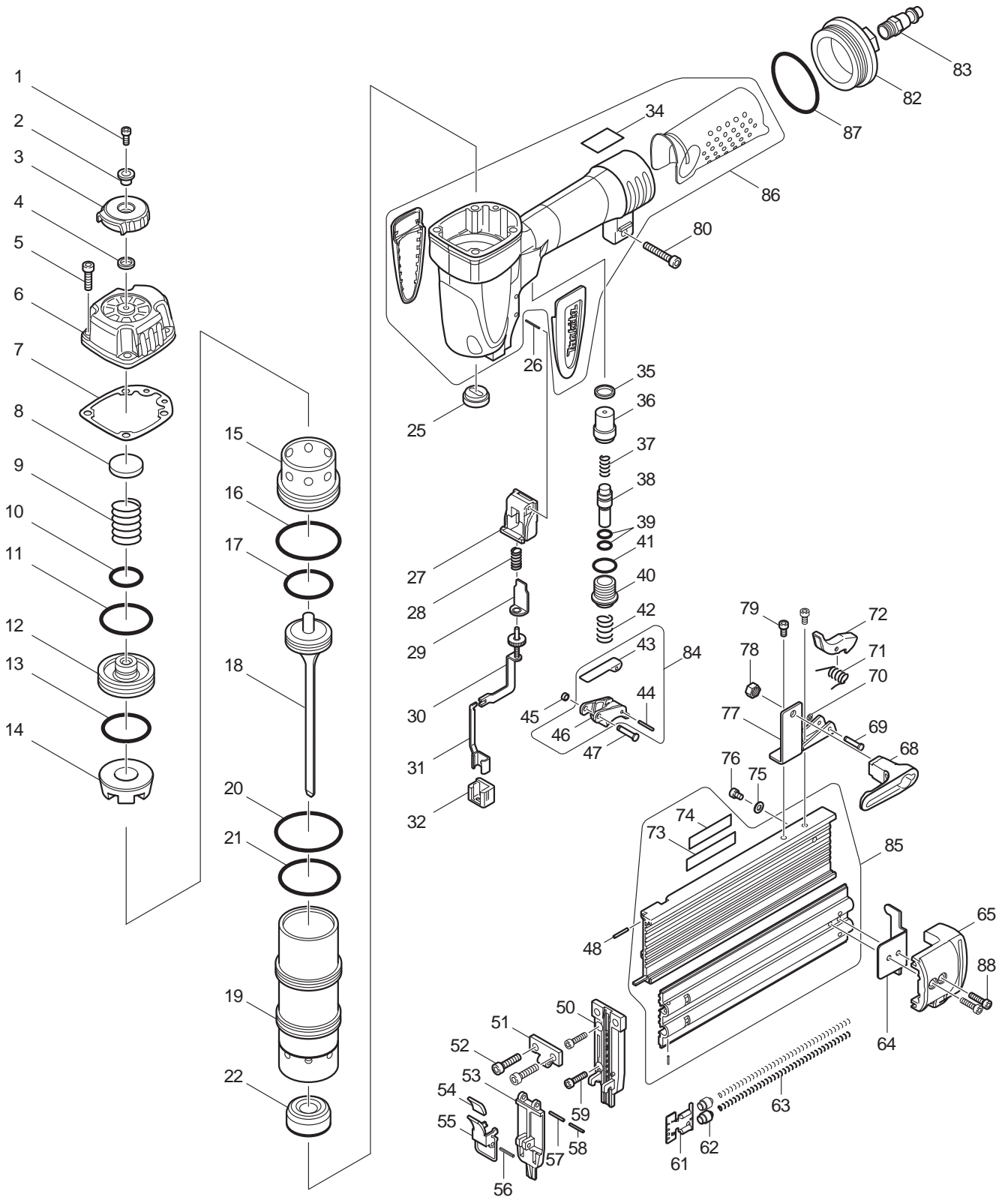




05 - 2010  
AF505  
BRAD NAILER, 18GA



Item No	Type	Ref	Part No	Description	Qty	Unit
1			HY00000001	HEX.SOCKET HEAD BOLT M4X10	1	PC.
2			HY00000002	SLEEVE4	1	PC.
3			HY00000003	EXHAUST COVER	1	PC.
4			HY00000004	RUBBER WASHER 7	1	PC.
5			HY00000005	HEX.SOCKET HEAD BOLT M5X20	4	PC.
6			HY00000006	TOP CAP	1	PC.
7			HY00000007	TOP CAP GASKET	1	PC.
8			HY00000008	CUSHION V	1	PC.
9			HY00000009	COMPRESSION SPRING 7	1	PC.
10			HY00000010	O-RING 12	1	PC.
11			HY00000011	O-RING 33	1	PC.
12			HY00000012	HEAD VALVE	1	PC.
13			HY00000013	O-RING 29	1	PC.
14			HY00000014	CUSHION P	1	PC.
15			HY00000015	CYLINDER SEPARATER	1	PC.
16			HY00000016	O-RING 46	1	PC.
17			HY00000017	O-RING 24	1	PC.
18			HY00000018	DRIVER COMPLETE	1	PC.
19			HY00000019	CYLINDER	1	PC.
20			HY00000020	O-RING 36	2	PC.
21			HY00000021	O-RING 31	1	PC.
22			HY00000022	CUSHION F	1	PC.
25			HY00000023	FRONT SEAL	1	PC.
26			HY00000024	SPRING PIN 3-26	1	PC.
27			HY00000025	HOLDER	1	PC.
28			HY00000026	COMPRESSION SPRING 5	1	PC.
29			HY00000027	STOPPER	1	PC.
30			HY00000028	CONTACTARM COMPLETE	1	PC.
31			HY00000029	CONTACT TOP	1	PC.
32			HY00000030	NOSE ADAPTER	1	PC.
34			HY00000031	CAUTION LABEL	1	PC.
35			HY00000033	RUBBER RING 8	1	PC.
36			HY00000034	TRIGGER VALVE GUIDE	1	PC.
37			HY00000035	COMPRESSION SPRING 4	1	PC.
38			HY00000036	TRIGGER VALVE STEM	1	PC.
39			HY00000037	O-RING 3	2	PC.
40			HY00000038	TRIGGER VALVE CASE	1	PC.
41			HY00000039	O-RING 11	1	PC.
42			HY00000040	COMPRESSION SPRING 10	1	PC.
43			HY00000041	IDLER	1	PC.
44			HY00000042	SPRING PIN 2.5-17	1	PC.
45			HY00000043	RUBBER RING 2	1	PC.
46			HY00000044	TRIGGER	1	PC.
47			HY00000045	PIN 3	1	PC.
48			HY00000046	PIN 2	2	PC.
50			HY00000047	DRIVER GUIDE	1	PC.
51			HY00000048	PLATE	1	PC.
52			HY00000049	HEX.SOCKET HEAD BOLT M5X22	2	PC.
53			HY00000050	DOOR	1	PC.
54			HY00000051	CAP	1	PC.
55			HY00000052	LEVER COMPLETE	1	PC.

Item No	Type	Ref	Part No	Description	Qty	Unit
56			HY00000053	SPRING PIN 2.5-16	1	PC.
57			HY00000054	SPRING PIN 2.5-18	1	PC.
58			HY00000055	SPRING PIN 1.5-18	1	PC.
59			HY00000056	HEX.SOCKET HEAD BOLT M4X16	4	PC.
61			HY00000057	PUSHER	1	PC.
62			HY00000058	PIN 7	2	PC.
63			HY00000059	COMPRESSION SPRING 6	2	PC.
64			HY00000060	MAGAZINE PLATE	1	PC.
65			HY00000061	SLIDE DOOR COVER	1	PC.
68			HY00000062	HOOK	1	PC.
69			HY00000063	PIN 3	1	PC.
70			HY00000064	STOP RING (EXT) E-2.5	1	PC.
71			HY00000065	TORSION SPRING	1	PC.
72			HY00000066	LOCK LEVER	1	PC.
73			HY00000067	CAUTION LABEL	1	PC.
74			HY00000069	CAUTION LABEL	1	PC.
75			HY00000070	WASHER	1	PC.
76			HY00000071	HEX.SOCKET HEAD BOLT M4X6	1	PC.
77			HY00000072	JOINT	1	PC.
78			HY00000073	HEX.LOCK NUT M5	1	PC.
79			HY00000074	HEX.SOCKET HEAD BOLT M4X8	2	PC.
80			HY00000075	HEX.SOCKET HEAD BOLT M5X30	1	PC.
82			HY00000076	INLET CAP	1	PC.
83			HY00000079	ONE TOUCH JOINT	1	PC.
84			HY00000083	TRIGGER COMPLETE	1	PC.
		INC.		Item No. 43, 44, 46		
85			HY00000084	MAGAZING ASSY	1	PC.
86			HY00000087	HOUSING COMPLETE	1	PC.
87			HY00000020	O-RING 36	1	PC.
88			HY00000056	HEX.SOCKET HEAD BOLT M4X16	4	PC.
<b><u>ACCESSORIES</u></b>						
A01			HY00000090	PLASTIC CASE	1	PC.
A02	1		192517-8	SAFETY GOGGLE	1	PC.
	2		195246-2	SAFETY GOGGLE	1	PC.
A03			181434-7	OIL SUPPLY 30CC	1	PC.